

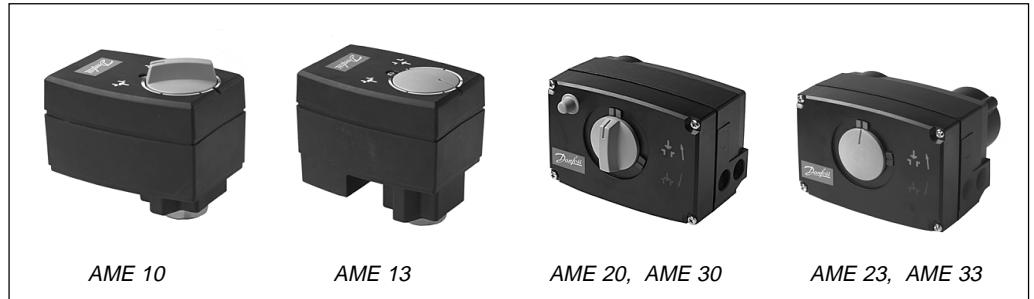
## Data sheet

# Modulating controlled actuators

AME 10, AME 20, AME 30

AME 13, AME 23, AME 33 - spring return function

### Description / Application



The actuators with or without safety function are available for the modulating controllers with the Y signal. The spring return actuators can be used to provide safety shut off on power failure. They are used with VS2, VM2, VB2 and VMV valves.

In addition to basic function such as manual control and position indication, the actuators are also equipped with force sensitive switch-off to ensure that actuators and valves are not exposed to overloading. This function automatically ensures the self-adjustment of the end positions on the valve.

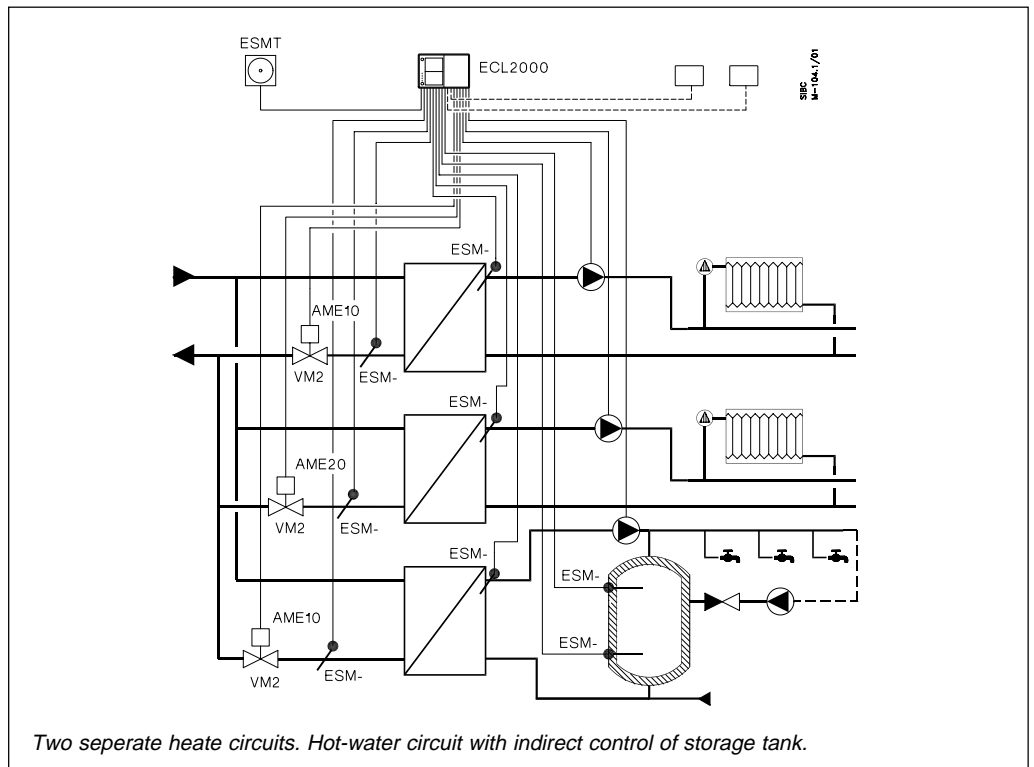
### Features

- 24 V version
- AME 10, 13 - spindle speed 14 s/mm
- AME 20, 23 - spindle speed 15 s/mm
- AME 30, 33 - spindle speed 3 s/mm
- spring return function (DIN 32730 registration).

### Note:

*The use of AME actuators together with VS2 DN 15 is not recommendable. Linear characteristics as in VS2 DN 15 valves is not recommendable in DHW production.*

### Application example



**Note:** Valves VS2 DN 15, which have linear characteristic, and AME versions of actuators are not recommended to be used in HWS with heat exchanger.

Ordering

Type	Supply voltage	Code No.
AME 10	24 V~	<b>082G3005</b>
AME 20	24 V~	<b>082G3015</b>
AME 30	24 V~	<b>082G3017</b>

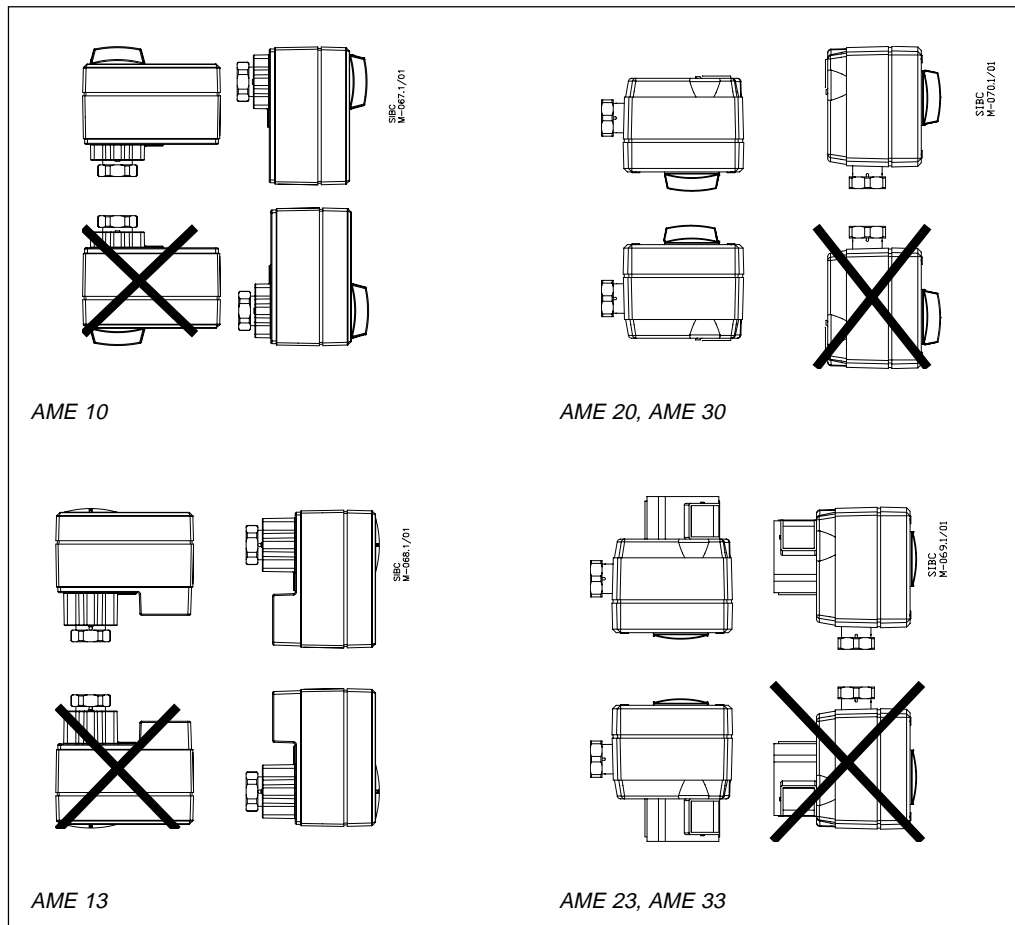
Spring return function - DIN 32730 approval

Type	Supply voltage	Code No.
AME 13	24 V~	<b>082G3006</b>
AME 23	24 V~	<b>082G3016</b>
AME 33	24 V~	<b>082G3018</b>

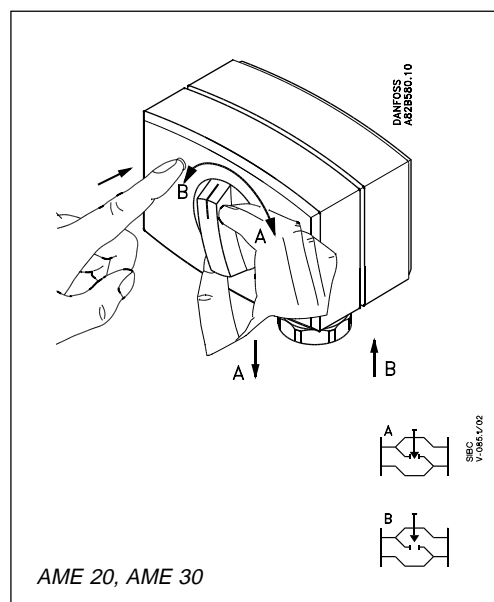
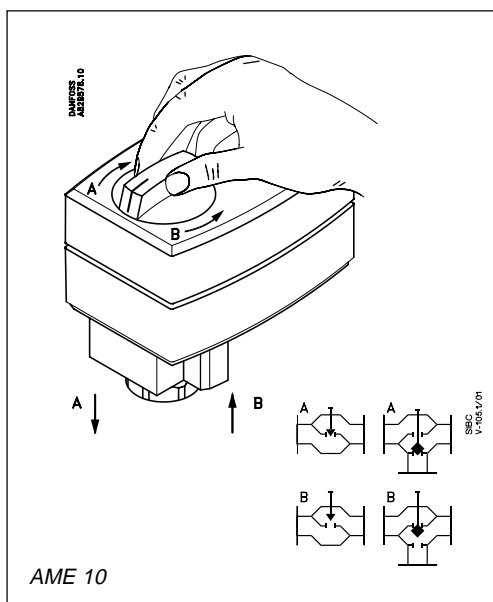
Technical data

	AME 10	AME 13	AME 20	AME 23	AME 30	AME 33
Supply voltage	24V~, +10 to -15%					
Power consumption	4 VA	9 VA	4 VA	9 VA	9 VA	14 VA
Frequency	50 Hz/60 Hz					
Spring return function	-	x	-	x	-	x
Control input Y	0 to 10 V (2 to 10 V) Ri = 24 kΩ, 0 to 20 mA (4 to 20 mA) Ri = 500 Ω					
Output signal X	0 to 10 V (2 to 10 V)					
Power output	300 N		450 N			
Spindle travel	5 mm		10 mm			
Spindle speed	14 s/mm		15 s/mm		3 s/mm	
Max. medium temperature inside the pipe	130 °C		150 °C			
Ambient temperature	0 to +55 °C					
Storage and transport temperature	-40 to +70 °C					
Enclosure	IP 54					
Weight	0.6 kg	0.8 kg	1.45 kg	1.5 kg	1.45 kg	1.5 kg
<b>CE</b> - marking in accordance with standards	EMC- Directive 89/336/EEC, 92/31/EEC, 93/68/EEC, EN 50081-1 and EN 50082-1					

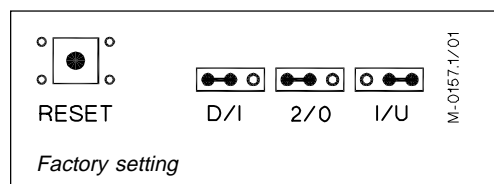
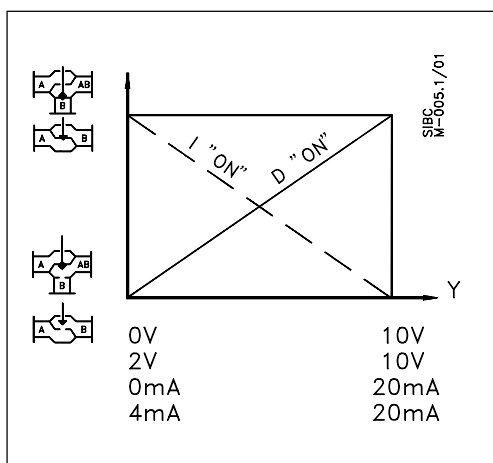
Installation



Manual Override



Setting



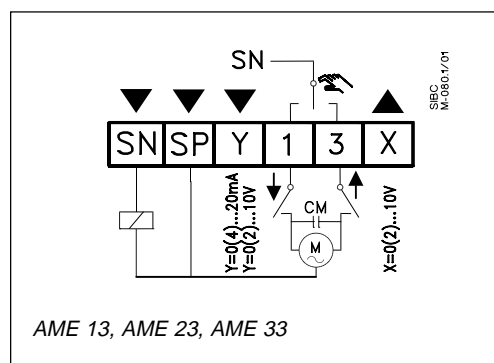
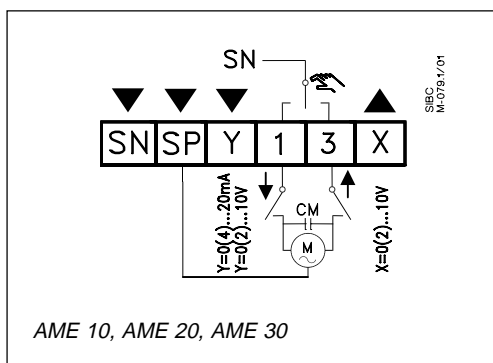
The actuator has three jumpers used for selecting special settings.

**Jumper D/I**  
Direct or reverse acting

**Jumper 2/0**  
Input signal range

**Jumper I/U**  
Current or voltage input signal

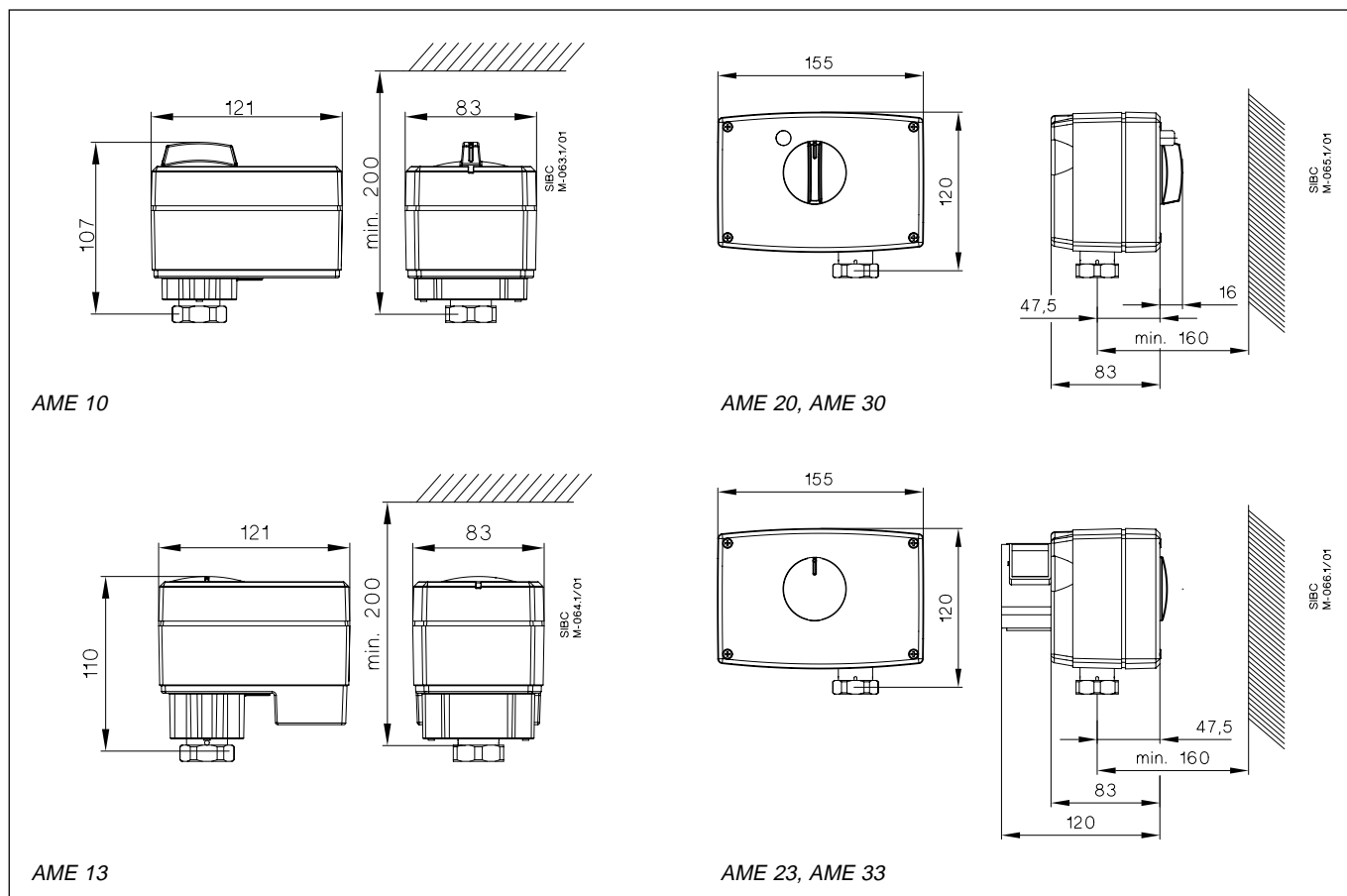
Wiring



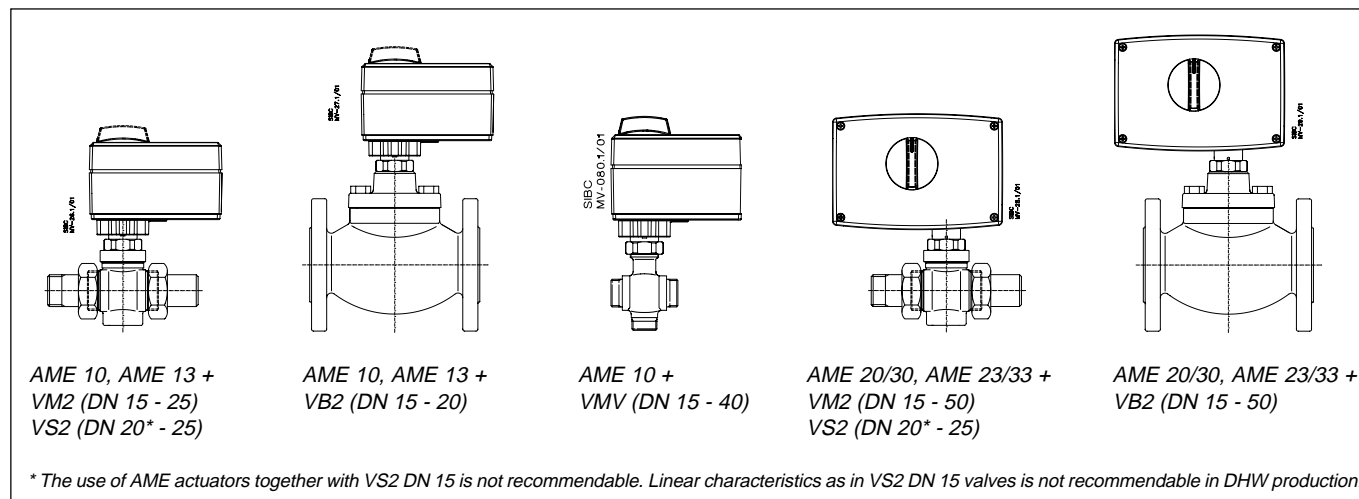
- SP** 24 V~ ..... Supply power
- SN** 0 V ..... Common
- Y** 0 to 10 V ..... Input signal  
(2 to 10 V)  
0 to 20 mA  
(4 to 20 mA)
- X** 0 to 10 V ..... Output signal  
(2 to 10 V)

Wiring length	Recommended square of the wiring
0 - 50 m	0.75 mm <sup>2</sup>
> 50 m	1.5 mm <sup>2</sup>

Dimensions



Actuator - valve combinations



Danfoss can accept no responsibility for possible errors in catalogues, brochures and other printed material. Danfoss reserves the right to alter its products without notice. This also applies to products already on order provided that such alterations can be made without subsequential changes being necessary in specifications already agreed. All trademarks in this material are property of the respective companies. Danfoss and the Danfoss logotype are trademarks of Danfoss A/S. All rights reserved.